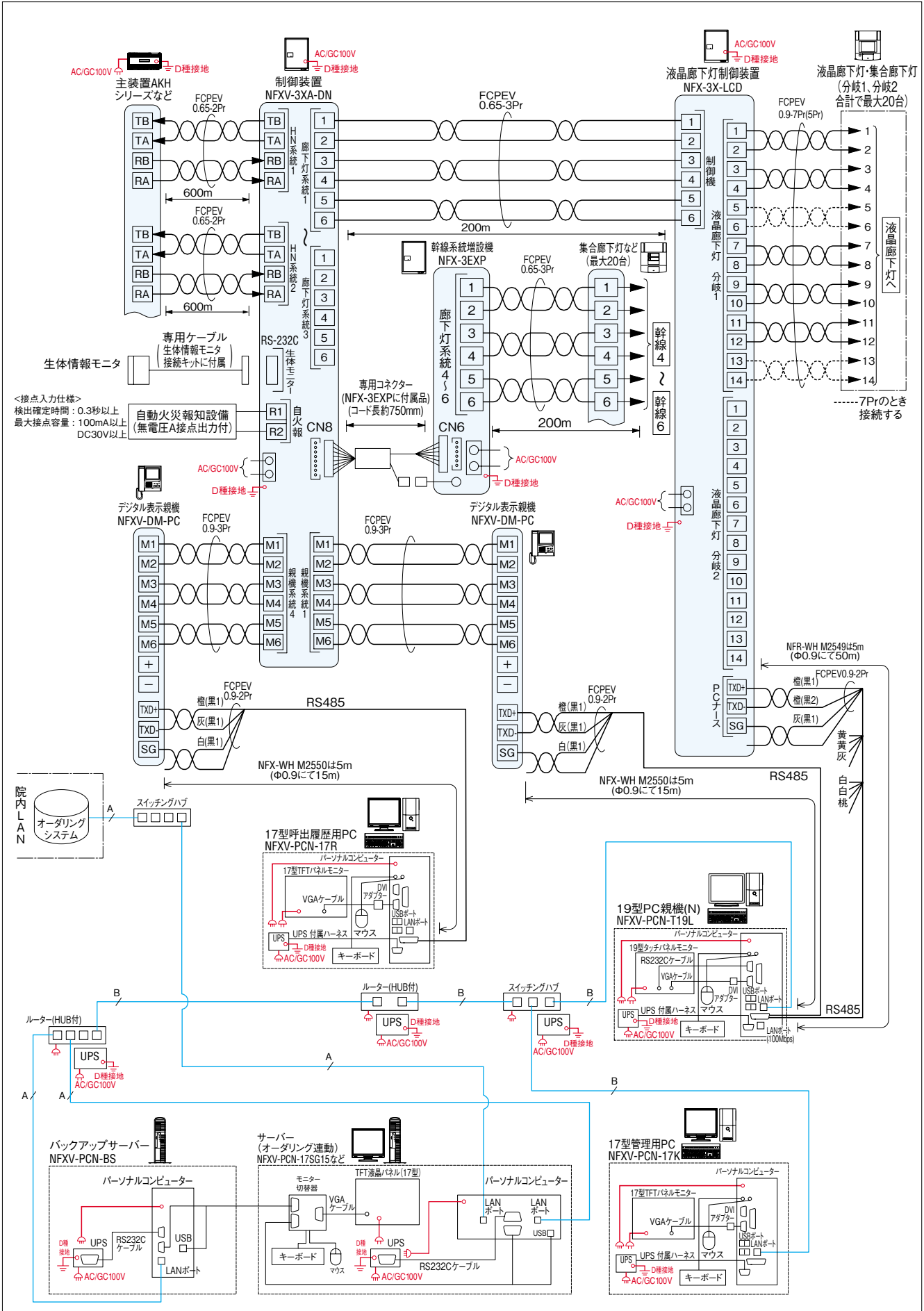


接続図



A :10BASE-T,100BASE-TX, 1000BASE-T B :10BASE-T,100BASE-TX